

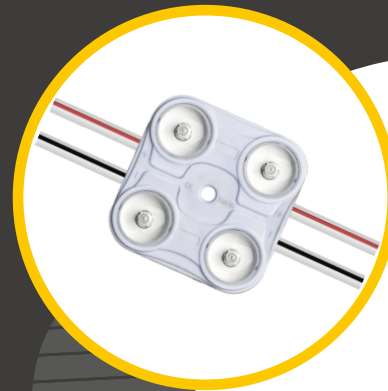
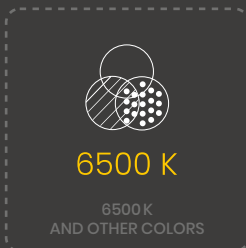
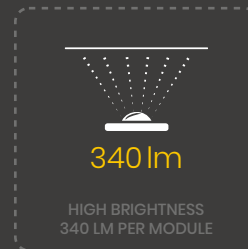
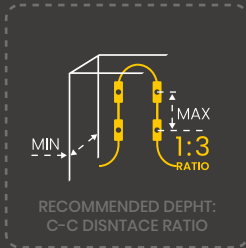
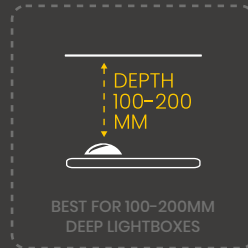
## Light-emitting diode module Teleline T4MAX 24V

### TECHNICAL INFORMATION

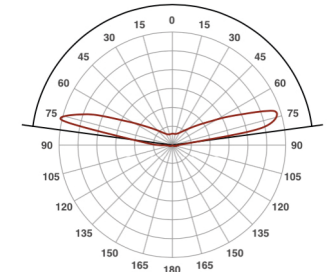
LED type	2835
Input	24V DC
Color temperature	6500 K
Beam angle	175°
Protection level	IP 67
Center-to-center distance	400 mm
Working temperature	-30°C + 50°C
Available colors	●
Power	<b>2 W</b>
Light output	<b>340 lm</b>

### ILLUMINATION TABLE

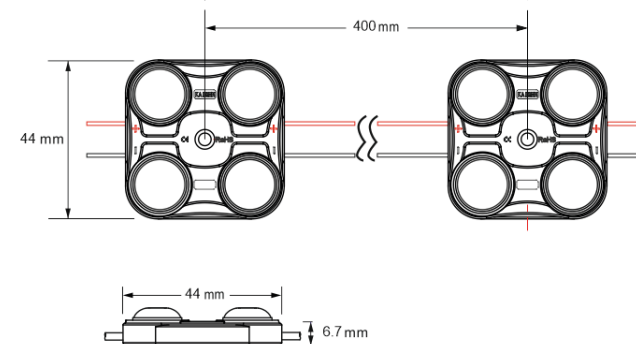
Installation depth	Distance between centers	Quantity per 1 sq.m.	Power per 1 sq.m.
100 mm	300 mm	12 pcs	24 W
130 mm	350 mm	9 pcs	18 W
160 mm	400 mm	9 pcs	18 W
200 mm	400 mm	9 pcs	18 W



### LIGHT DISTRIBUTION GRAPH Beam angle is 175°



### DIMENSIONS



### PACKAGING

Packing type	Chain	Package	Box
Quantity	30 pcs	120 pcs	480 pcs
Weight	0,5 kg	2,5 kg	14,66 kg

### CONNECTION

